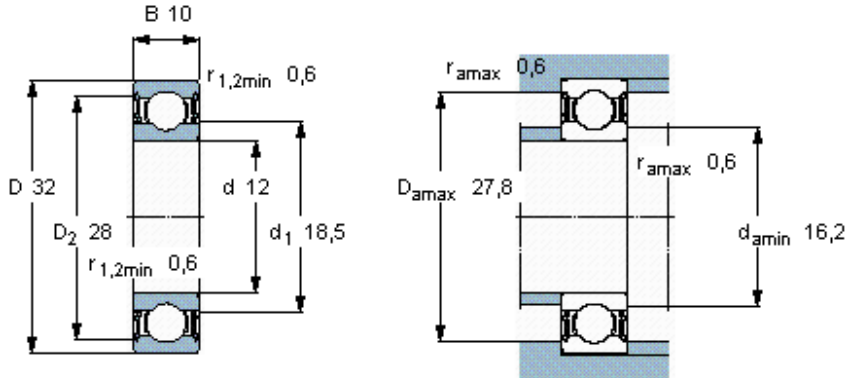


Deep groove ball bearings, single row, stainless steel

Principal dimensions			Basic load ratings		Speed ratings	Limiting speed	Designation
d	D	B	dynamic C	static C0	Reference speed		
mm			kN		r/min		-
12	32	10	5,72	3	-	15000	W 6201-2RS1



Calculation factors

k_r 0,025

f_0 12